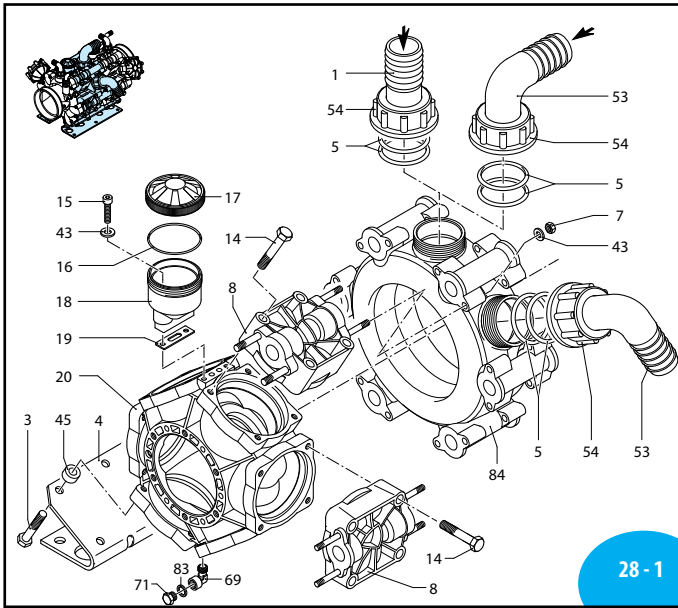


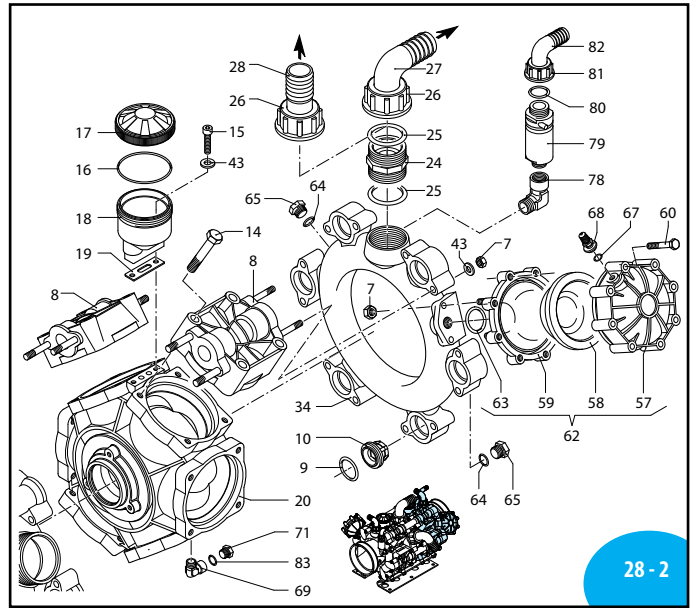
ANNOVI REVERBERI

AR 500 bp TWIN - AR 560 bp TWIN



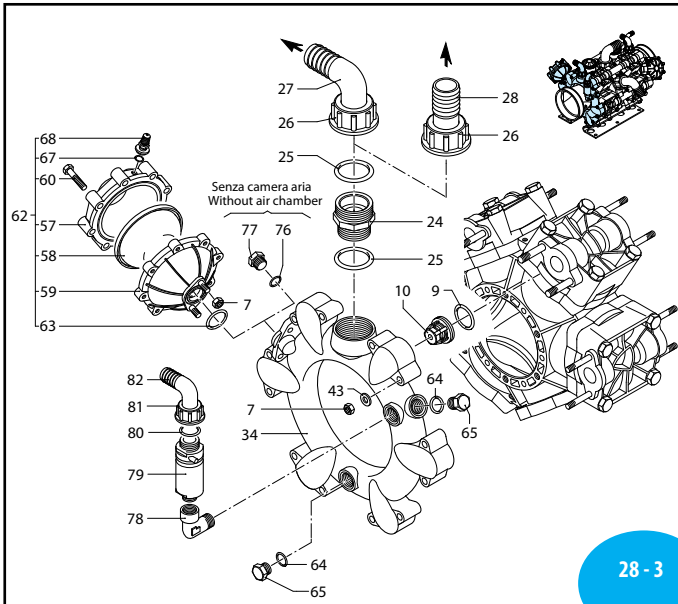
28 - 1

UN000112-IB



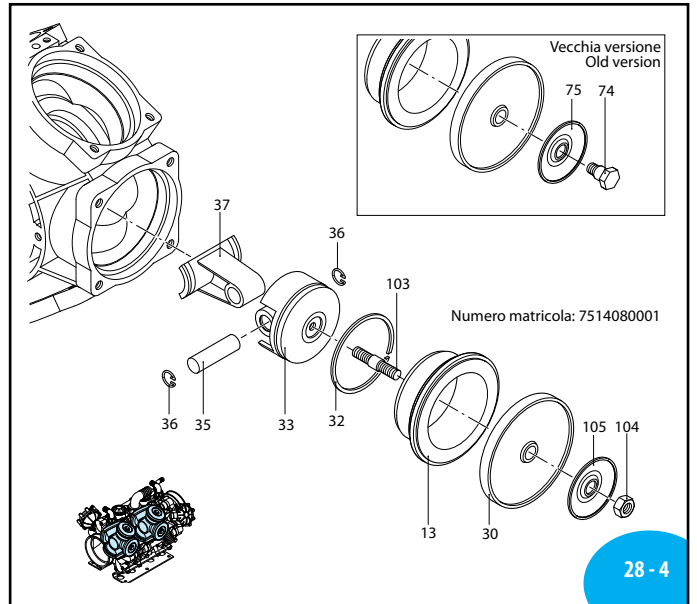
28 - 2

UN000113-DD



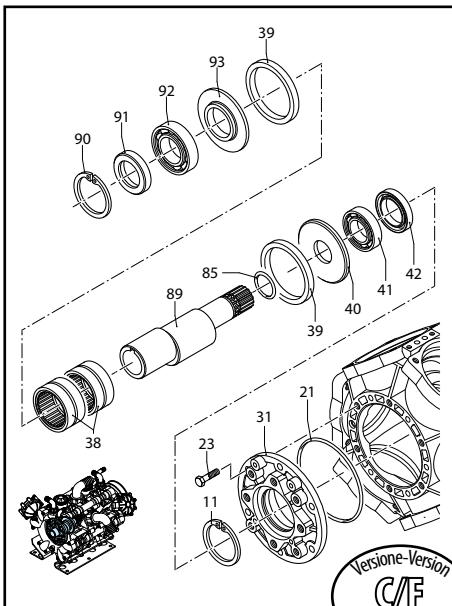
28 - 3

UN000114-IB

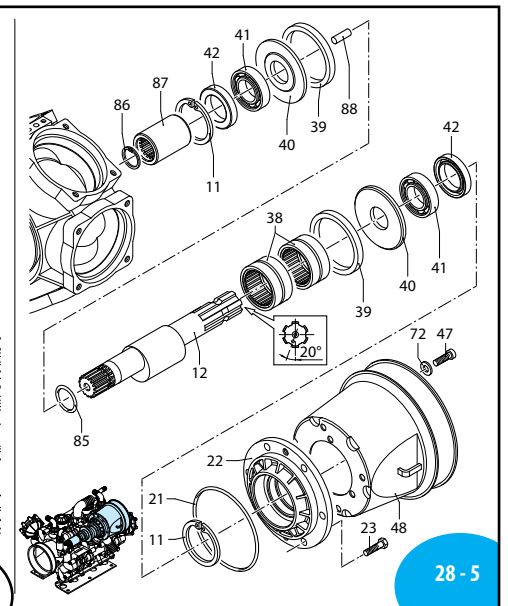
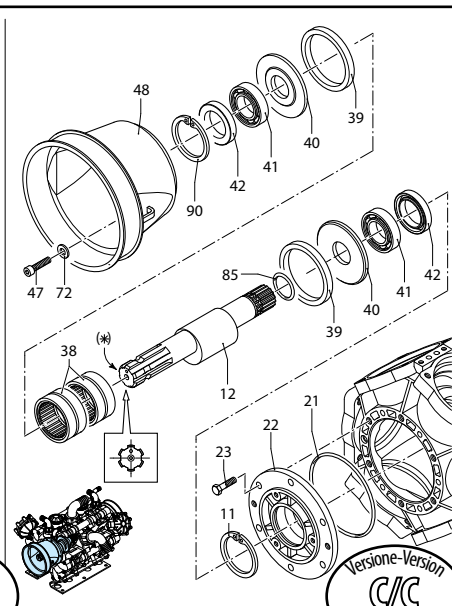


28 - 4

UN000115-DD



SL000116-HY



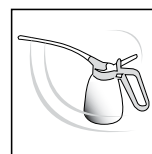
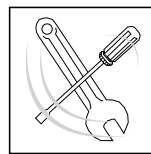
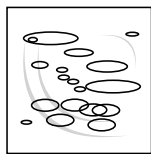
28 - 5

AR 500 bp TWIN - AR 560 bp TWIN

Pos.	Cod.	Descrizione	Description	Q.ty	Note
1	750870	Portagomma ø 50	Hose tail	1	Optional
	750730	Portagomma ø 60	Hose tail	1	Optional
3	760190	Vite TE M 12x80	Bolt	16	Geomet C ₄₉
4	750800	Piede	Base	2	
5	750740	OR ø 56,74x3,53	O-Ring	4	
7	380242	Dado M 8	Nut	52	Geomet C ₂₀
8	750100	Testa porta valvole	Head	12	
9	680070	OR ø 31,5x4,25	O-Ring	24	
10	759051	Valvola completa	Complete valve	24	
11	200390	Anello seeger	Circlip	3	
12	750820	Albero eccentrico	Crankshaft	2	AR 500 bp (AY)
	760131	Albero eccentrico	Crankshaft	2	AR 560 bp (AK)
13	750110	Camicia	Sleeve	12	AR 500 bp
	750115	Camicia	Sleeve	12	AR 560 bp
14	750061	Vite TE M 12x65	Bolt	32	Geomet C ₄₉
15	680350	Vite TCEI M 8x35	Bolt	4	C ₂₀
16	1040060	OR ø 72,69x2,62	O-Ring	2	
17	750057	Tappo serbatoio nero	Black oil tank cap	2	AR 500 bp
	750052	Tappo serbatoio rosso	Red oil tank cap	2	AR 560 bp
18	750030	Serbatoio olio	Oil tank	2	
19	750040	Guarnizione serbatoio	Gasket	2	
20	750010	Corpo pompa	Pump body	2	
21	851360	OR ø 120,32x2,62	O-Ring	2	
22	680020	Supporto albero	Shaft support	2	
23	160672	Vite TE M 10x25	Bolt	12	Geomet C ₄₀
24	540530	Niples 1"1/4-1"3/4 G (M)	Threaded adapter	2	
25	250310	OR ø 36,14x2,62	O-Ring	4	
26	540540	Girello 1"3/4 G	Ring nut	2	
27	392130	Curva ø 35	Elbow	2	
28	391930	Portagomma ø 35	Hose tail	2	Optional
	550080	Membrana	Diaphragm	12	Gomma
	550084	Membrana	Diaphragm	12	Viton
	550085	Membrana	Diaphragm	12	Desmopan
	550086	Membrana	Diaphragm	12	H.P.D.S.
31	2420181	Supporto albero	Shaft support	1	
32	500260	Segmento	Piston ring	12	
33	750122	Pistone	Piston	12	
34	750420	Condotto mandata	Manifold	2	
35	160700	Spinotto	Pin	12	
36	160691	Anellino spinotto	Pin ring	24	
37	750140	Biella	Connecting rod	12	
38	750090	Cuscinetto a rullini	Roller bearing	4	
39	750130	Anello biella	Con rod ring	4	
40	540040	Piastra distanziale	Spacer washer	4	
41	230350	Cuscinetto	Bearing	4	
42	160740	Anello tenuta	Seal ring	4	
43	380243	Rosetta øi 8,5	Washer	52	Geomet
45	760180	Distanziale piede	Spacer	16	

Pos.	Cod.	Descrizione	Description	Q.ty	Note
47	850251	Vite TCEI M 8x12	Bolt	6	Geomet C ₂₀
48	1500470	Protezione cardano	Cardan protection	2	
	750850	Curva ø 50	Elbow	2	AR 500 bp
	750720	Curva ø 60	Elbow	2	AR 560 bp
54	750710	Girello 2"1/2 G	Ring nut	2	
57	620232	Semisfera superiore	Upper air chamber	2	Nera / Black
	550190	Semicamera aria	Semi air chamber	2	Gomma
	550191	Semicamera aria	Semi air chamber	2	Saturflon
	550192	Semicamera aria	Semi air chamber	2	Viton
	550193	Semicamera aria	Semi air chamber	2	H.P.D.S.
59	680180	Semisfera inferiore	Lower air chamber	2	
60	621781	Vite TE M 8x40	Bolt	16	Geomet C ₂₀
62	1552	Camera aria completa	Complete air chamber	2	
63	390290	OR ø 29x3	O-Ring	2	
64	180101	OR ø 17,5x2	O-Ring	4	
65	330173	Tappo 1/2" G	Plug	4	Geomet C ₂₀
67	650542	Guarnizione	Gasket	2	
68	180020	Valvola di gonfiaggio	Air valve	2	
69	750370	Gomito 1/4" G (M)-(F)	Elbow	2	
71	880581	Tappo 1/4" G	Plug	2	C ₂₀
72	390314	Rondella øi 8,5	Washer	6	Geomet
74	580360	Perno membrana	Diaphragm pin	12	C ₂₀
75	580370	Piattello	Plate	12	
76	740290	OR ø 14x1,78	O-Ring	1	
77	880530	Tappo 3/8" G	Plug	1	C ₂₀
78	881560	Gomito 90° 1/2" G (M)-(F)	Elbow	2	
79	1609000	Valvola di sicurezza	Safety valve	2	
80	880831	OR ø 15,54x2,62	O-Ring	2	Viton
81	550450	Girello 3/4" G	Ring nut	2	
82	550460	Curva ø 18	Elbow	2	
83	880820	Rosetta øi 13	Washer	2	
84	750810	Condotto aspirazione	Suction manifold	1	
85	620030	OR ø 25,80x3,53	O-Ring	2	
86	760260	Anello seeger	Circlip	1	
87	760151	Giunto	Joint	1	
88	760161	Perno collegamento	Pin	1	
	760470	Albero ecc. "C/F" (ø32)	"C/F" (ø32) shaft	1	AR 500 bp (BK)
	760480	Albero ecc. "C/F" (ø32)	"C/F" (ø32) shaft	1	AR 560 bp (BY)
	620330	Anello seeger	Circlip	1	AR 500/560 bp C/F
	200390	Anello seeger	Circlip	1	AR 500/560 bp C/C
91	1800090	Anello tenuta	Seal ring	1	
92	230310	Cuscinetto	Bearing	1	
93	760510	Piastra distanziale	Spacer washer	2	
103	2240100	Prigioniero	Stud	12	C ₂₅
104	2240110	Dado	Nut	12	C ₂₀
105	751250	Piattello	Plate	12	

Bassa Pressione
Low Pressure



KIT 1926 (q.ty2)	
Membrane gomma Buna diaphragms	
KIT 1975 (q.ty2)	
Membrane HPDS HPDS diaphragms	
KIT 2310 (q.ty2)	
Membrane Desmopan Desmopan diaphragms	
Pos.	Q.ty
30	6

KIT 2114 (q.ty2)	
Valvole Valves	
Pos.	Q.ty
9	12
10	12

KIT 2431	
OR O-Rings	
Pos.	Q.ty
5	4
9	24
16	2
25	4
63	2
64	4
67	2
76	1
85	2

KIT 2432					
Pronto intervento Maintenance repair					
Pos.	Q.ty	Pos.	Q.ty	Pos.	Q.ty
9	24	27	2		
10	24	30	12		
16	2	42	2		
17	2	58	2		
18	2	103	12		
19	2	104	12		
21	2	105	12		
24	2				
25	4				
26	2				

Olio utilizzato	
Used oil	
Tipo - Type	Kg
SAE 30	4,8