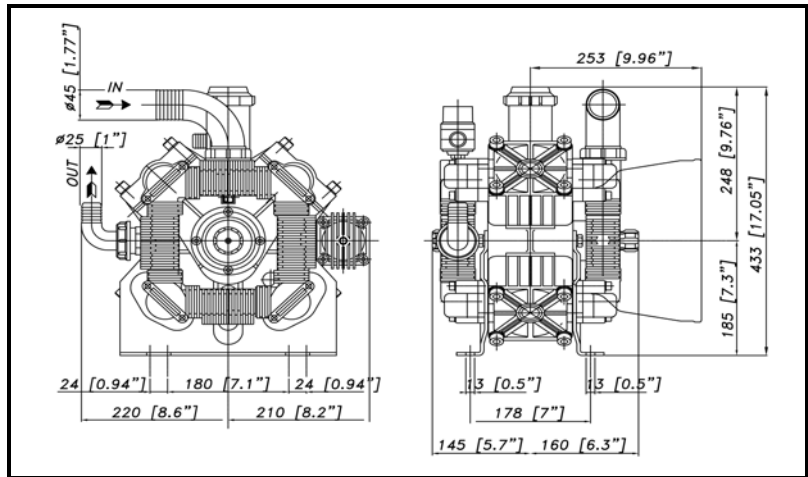
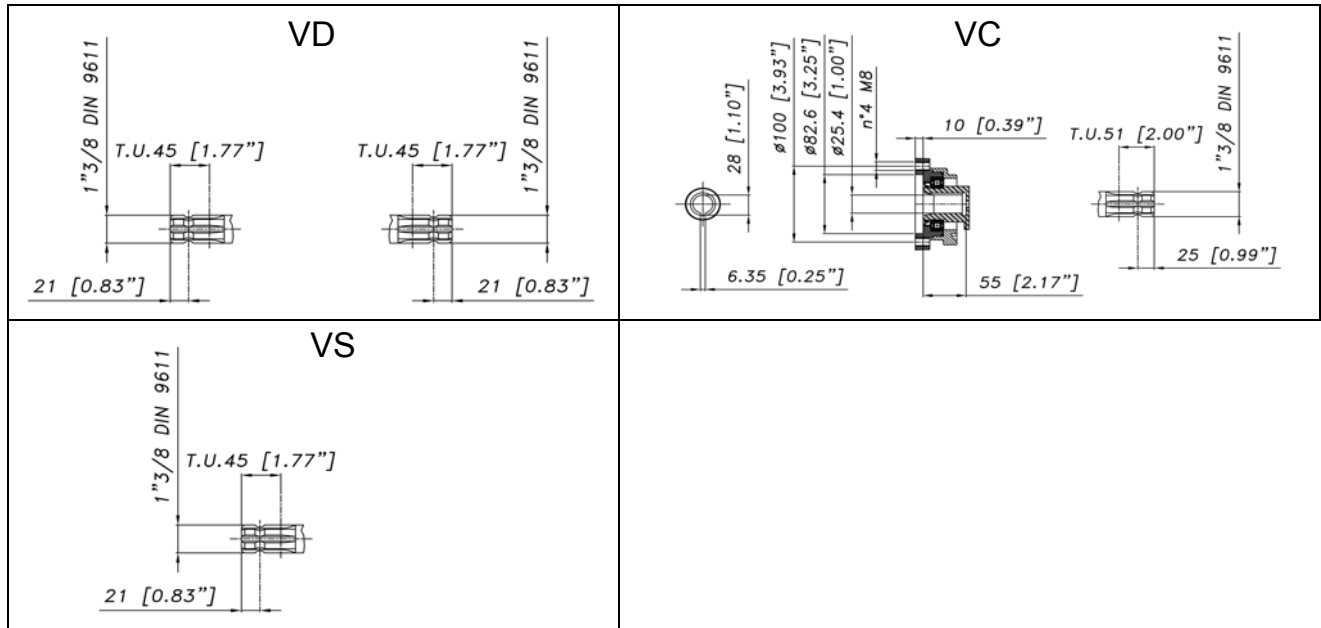


DIMENSIONI D'INGOMBRO - OVERALL DIMENSIONS



ALBERO POMPA - PUMP SHAFT



COPPIA DI SERRAGGIO - TORQUE CHART

CODICE - CODE	Q.TY	POS	N-m	Lbr.ft
62.9811.97.3	4	48	25	18.4
86.2168.00.2	2	6	5	3.7
86.3694.50.2	1	20	40	29.5
85.2562.50.2	2	17	5 (LOXEAL 24-18)	3.7 (LOXEAL 24-18)
86.2562.50.2	4	43	22	16.3
86.2682.50.2	2	46	22	16.3
86.2960.00.2	16	20	10	7.4
86.3277.00.2	6	61	40	29.5
86.4068.00.2	20	65	40	29.5

Tolleranza di serraggio: 0/-10%
Tolerance on torque value: 0/-10%

INFORMAZIONI UTILI
USEFUL INFORMATION

LUBRIFICANTE- LUBRICANT: OLIO MOTORE O SEMIDRAULICO SAE 30 MOTOR OIL OR SEMI-HYDRAULIC OIL SAE 30				
PRESSIONE ACCUMULATORE ACCUMULATOR PRESSURE				
PRESSIONE DI LAVORO - OPERATING PRESSURE	2 + 5	5 + 10	10 + 20	20 + 50
ACCUMULATORE ACCUMULATOR	2	2 + 5	5 + 7	6 + 8

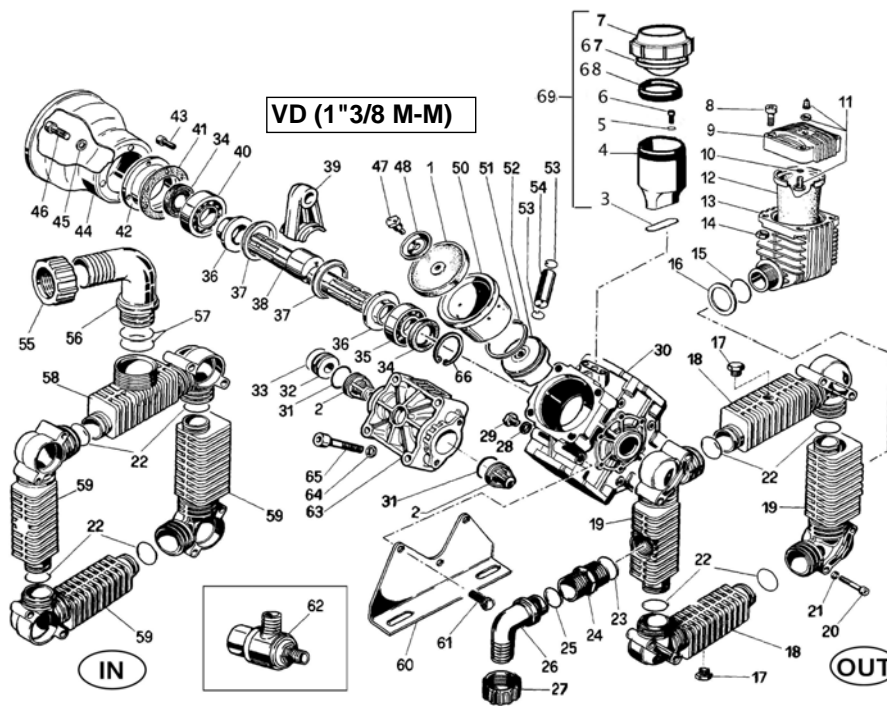
KIT MEMBRANE - DIAPHRAGMS KIT

KIT	BUNA - N			DESMOPAN			VITON					PENTAX									
	28.9886.97.3	1	31	12	28.9887.97.3	1	31	12	28.9889.97.3	1	31	12	33	22	23	15	28.9897.97.3	1	31	12	
POSIZIONE ESPLOSO POSITION NUMBER																					
QUANTITA' NEL KIT QUANTITIES INCLUDED	4	8	1		4	8	1		4	8	1	4	8	1	1		4	8	1		

KIT POMPA/KIT VALVOLE - PUMP KIT/VALVES KIT

KIT	KIT POMPA VD PUMP KIT VD					KIT POMPA VC PUMP KIT VC							KIT VALVOLE VALVES KIT			VALVOLE INOX VALVES KIT			
	28.9883.97.3	22	31	34	41	33	41	34	77	75	28.9884.97.3	2	31	33	28.9885.97.3	2	31	33	
POSIZIONE ESPLOSO POSITION NUMBER																			
QUANTITA' NEL KIT QUANTITIES INCLUDED	8	8	2	1	4	8	8	4	1	1	1	1	8	8	4	8	8	4	

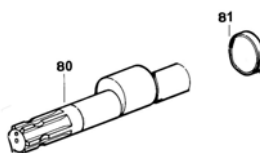
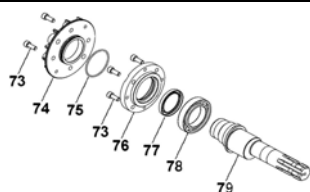
POLY 2180 VD (1"3/8 M-M)



VERSIONI

VC (1"3/8 - D.1" M-F)

VS (1"3/8 M)



POS.	CODICE PART NO. REF.	DENOMINAZIONE - DESCRIPTION - DESCRIPTION	Q.TY	POS.	CODICE PART NO. REF.	DENOMINAZIONE - DESCRIPTION - DESCRIPTION	Q.TY
1	62.0040.31.2	PISTON DIAPHRAGM	4	35	81.2846.00.2	BEARING DIA.35x72x17	1
1	62.0040.00.2	DESMOPAN PISTON DIAPHRAGM (OPT.)	4	36	28.0027.09.2	SHAFT SPACER (VD-VC)	2
1	62.0040.33.2	VITON PISTON DIAPHRAGM (OPT.)	4	36	28.0027.09.2	SHAFT SPACER (VS)	1
1	62.0040.36.2	HPS PISTON DIAPHRAGM (OPT.)	4	37	98.0047.76.2	CONNECTING ROD RING	2
2	28.9809.97.3	S.S. VALVE ASSY	8	38	62.0024.26.2	CRANKSHAFT "VD"	1
2	63.9800.97.3	POLYPROPYLENE VALVE ASSY (OPT.)	8	39	28.0033.11.2	CONROD	4
3	80.3209.00.2	O-RING 2,62x39,34	1	40	81.2867.00.2	BEARING DIA.35x80x21	1
4	14.0117.32.2	BOWL OIL FILLER	1	41	98.0110.72.2	GASKET	1
5	84.3585.00.2	WASHER D.6,4X12,5X1,6	2	42	98.0108.09.2	COVER	1
6	86.2168.00.2	SCREW M6x22 UNI5931	2	43	86.2562.50.2	SCREW M8x20 UNI5931	4
7	28.0144.32.2	OIL FILLER CAP	1	44	31.1482.32.2	PLAIN SAFETY CONE L=180 (OPTIONAL)	1
8	86.2752.10.2	SCREW M8x35 UNI5931	4	44	31.1468.32.2	PLAIN SAFETY CONE L=135 (OPTIONAL)	1
9	11.0004.09.2	BALLASTER COVER	1	45	84.3710.00.2	WASHER DIA.8,5x24x2	4
10	80.3213.00.2	O-RING 3,0x6	1	46	86.2682.50.2	SCREW M8x25 UNI5931	4
11	86.1608.50.2	AIR VALVE	1	48	62.9811.97.3	KIT SCREW/DISK INOX	4
12	23.0041.31.2	BALLASTER DIAPHRAGM	1	50	62.0019.01.2	PISTON SLEEVE	4
12	23.0041.33.2	VITON BALLASTER DIAPHRAGM (OPT.)	1	51	81.8540.00.2	PISTON RING DIA.78	4
12	23.0041.36.2	HPS BALLASTER DIAPHRAGM (OPT.)	1	52	62.0018.09.2	PISTON DIA.78	4
13	27.0035.32.2	DAMPER BODY	1	53	80.0021.00.2	RING DIA.15	8
14	81.4574.50.2	NUT M8 UNI5588	4	54	85.2006.70.2	PISTON PIN DIA.15	4
15	80.3247.50.2	O-RING 3,53x28,17	1	55	82.0120.00.2	WING NUT G.2"	1
15	80.3247.60.2	O-RING 3,53x28,17 (KIT VITON)	1	56	84.0596.00.2	90° ELBOW CONNECTOR DIA.45-1,77"	1
16	27.0037.46.2	SPACER	1	56	84.1642.80.2	STRAIGHT CONNECTOR D.45-1,77" (optional)	1
17	85.2576.00.2	CAP G.3/8	2	56	84.1643.00.2	STRAIGHT CONNECTOR D.50-1,96 (optional)	1
18	28.0074.32.2	MANIFOLD PIPE WITH HOLE G.3/8	2	56	84.0610.00.2	90° ELBOW CONNECTOR DIA.50-1,96 (OPT.)	1
19	28.0071.32.2	MANIFOLD PIPE G.1"	2	57	80.3209.10.2	O-RING 2,62x40,95	2
20	86.2960.00.2	SCREW M8x65 UNI5931	16	58	28.0072.32.2	MANIFOLD PIPE G.2"	1
21	84.3685.50.2	WASHER DIA.8,2x15x1,5	16	59	28.0070.32.2	INLET-OUTLET MANIFOLD PIPE	3
22	80.3250.00.2	O-RING 3,53x31,34	8	60	28.0021.61.2	MOUNTING RAIL	2
22	80.3250.10.2	O-RING 3,53x31,34 (KIT VITON)	8	61	86.3277.00.2	SCREW M10x30 UNI5931	6
23	80.3219.10.2	O-RING 3,0x30	1	62	24.3016.97.3	SAFETY VALVE 15bar (OPTIONAL)	1
23	80.3219.15.2	O-RING 3,0x30 (KIT VITON)	1	63	62.0025.32.2	HEAD	4
24	83.5089.00.2	NIPPLES G.1"-G.1 1/4	1	64	84.3844.50.2	WASHER DIA.12,2x21x2,5	16
25	80.3219.00.2	O-RING 3,0x25	1	65	86.4068.00.2	SCREW M12x75 UNI5931	16
26	84.0542.40.2	90° ELBOW CONNECTOR DIA.25-1"	1	66	80.1369.00.2	RING DIA.52	1
26	84.0560.00.2	90° ELBOW CONNECTOR DIA.30-1,18" (OPT.)	1	67	41.0017.31.2	DIAPHRAGM OIL FILLER	1
26	84.0565.00.2	90° ELBOW PIPE FITTING DIA.32-1,25" (OPT.)	1	68	14.0116.32.2	SPACER	1
27	82.0067.50.2	WING NUT G.1 1/4	1	69	14.9888.97.3	OIL FILLER KIT	1
28	82.4079.00.2	GASKET DIA.13,2x17x1 COPPER	1	73	86.2588.00.2	SCREW TCEI M8x20	8
29	86.3694.50.2	CAP M12	1	74	31.1724.46.2	COVER	1
30	28.0003.09.2	CRANKCASE	1	75	80.3210.20.2	O-RING DIA.2,62x60	1
31	80.3314.00.2	O-RING 4,5x40	8	76	31.1725.07.2	CENTRAL COVER	1
31	80.3314.50.2	O-RING 4,5x40 (KIT VITON)	8	77	80.2191.10.2	OIL SEAL DIA. 45x62x7	1
32	28.0229.32.2	VALVE ASSY SPACER	4	78	81.2946.00.2	BEARING 50x80x16	1
33	80.3209.40.2	O-RING 2,62x44,12	4	79	62.0108.26.2	HOLLOW SHAFT VC VERSION	1
33	80.3209.50.2	O-RING 2,62x44,12 (KIT VITON)	4	80	62.0108.26.2	SHAFT "VS"	1
34	80.2143.10.2	OIL SEAL DIA.35x52x7	2	81	80.2099.60.2	CAP 52X7	1